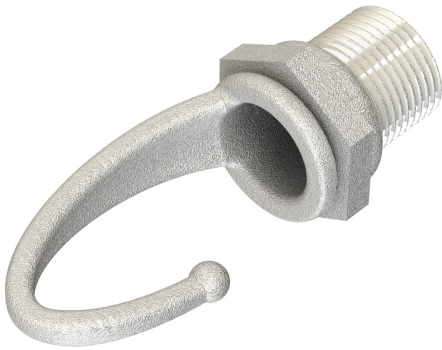


**PRODUCT CODE: MHM1G**  
MALE HOOK



**DESCRIPTION**

20mm Male Hook

**FINISH**

Hot Dipped Galvanised

**MATERIAL**

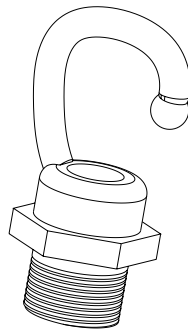
Malleable Iron

**PACKAGING**

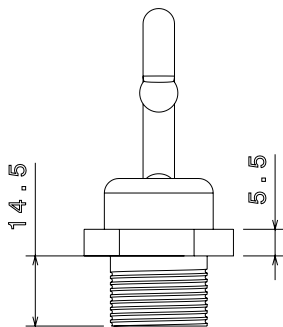
Packed in qty 50

**ADDITIONAL NOTES**

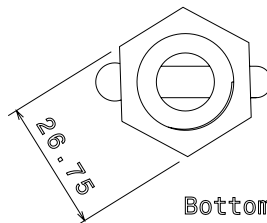
Conforms to BS EN61386-1  
Compliant to LU Standard 1-085 (for use on surface & sub-surface locations)



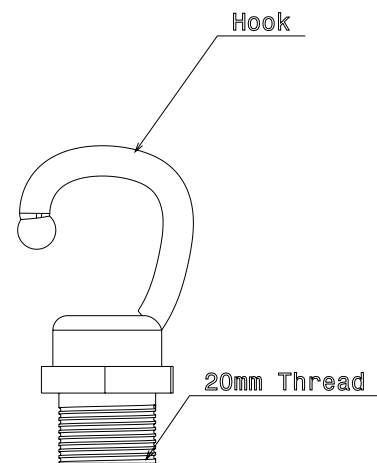
Isometric view



Front view



Bottom view



Side view